

# Snap-In Eave Ducted Vent Technical Data



## General

Ventilator Type	Snap-in Ducted Eave Ventilator
Bush Fire Rating	BAL-29

## Material

Material	Composition % of Total Product
ABS	98%
Aluminium (Mesh)	2%

## Applicable Product Codes

Product Code	Description
S1503BAL	150mm Square (Face)
S2003BAL	200mm Square (Face)
S2503BAL	250mm Square (Face)

Component	Neck Diameter (internal)	Height (including face)	Face Diameter	Weight (g)	Cut out Size
S1503BAL	144mm	104mm	214mm	311g	149x178mm
S2003BAL	194mm	104mm	264mm	450g	198x230mm
S2503BAL	240mm	104mm	314mm	580g	248x282mm

\*See technical drawings below for dimensions

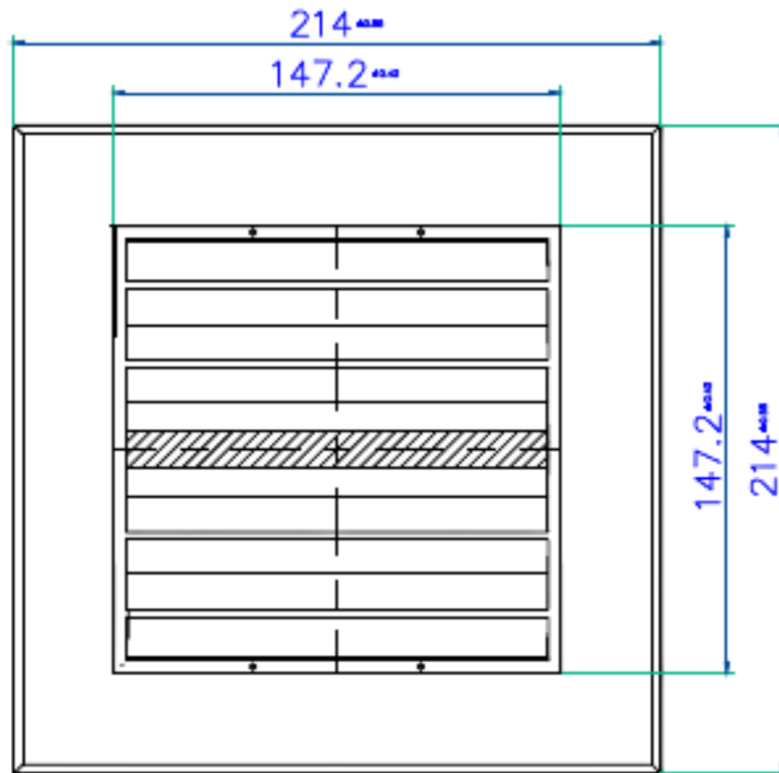


5 Amay Crescent, Ferntree Gully Vic 3156  
P | 03 9758 7844 F | 03 9758 7804  
E | enquiries@partnerpacific.com

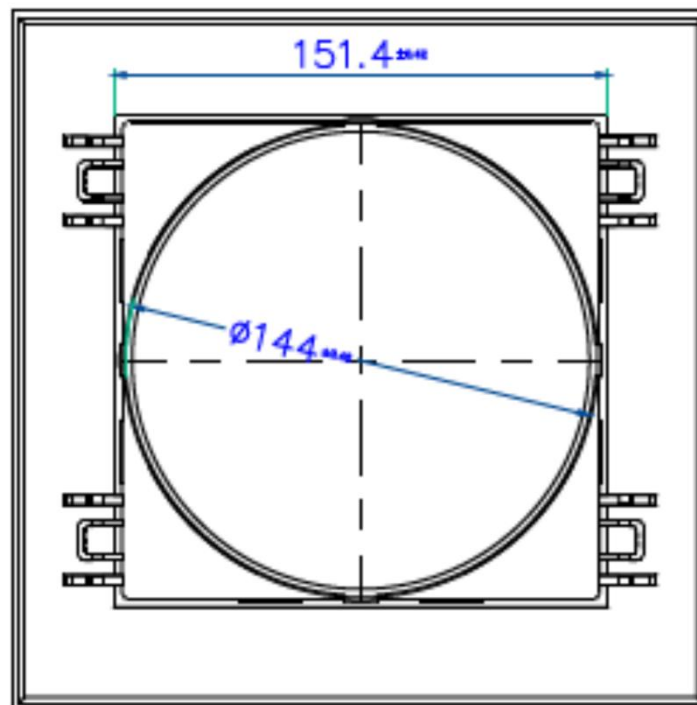
## Dimensions

**S1503BAL**

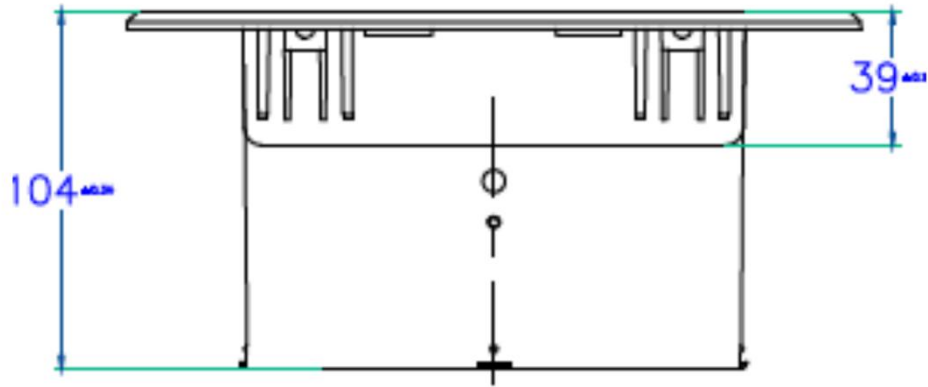
**Face**



**Bottom**

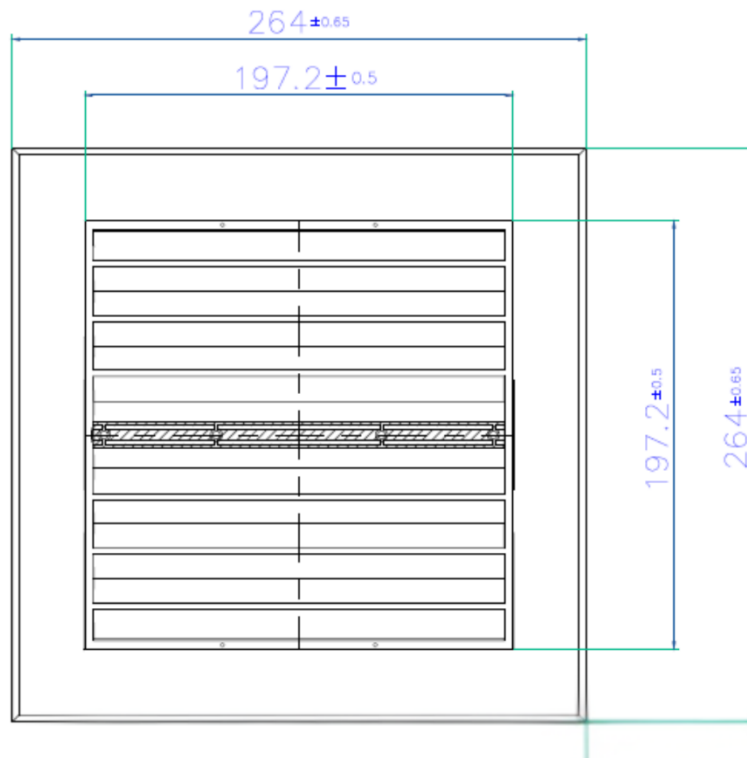


## Side

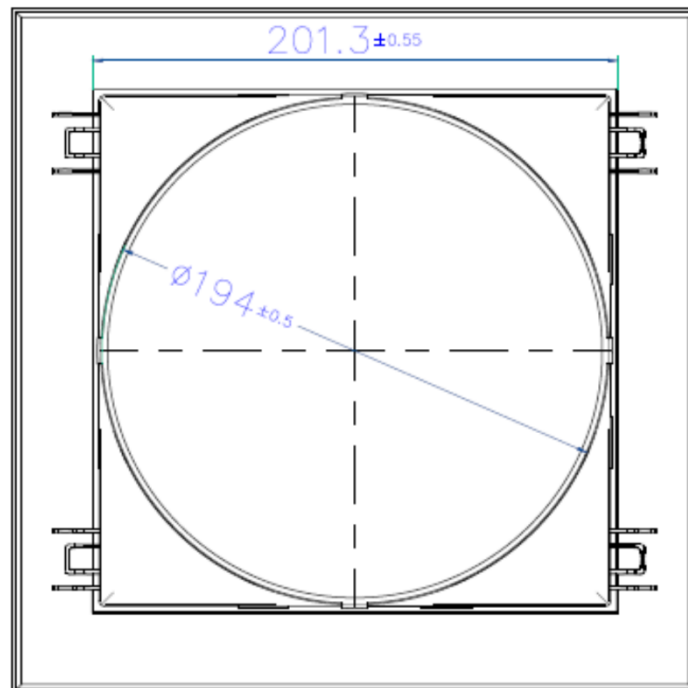


## S2003BAL

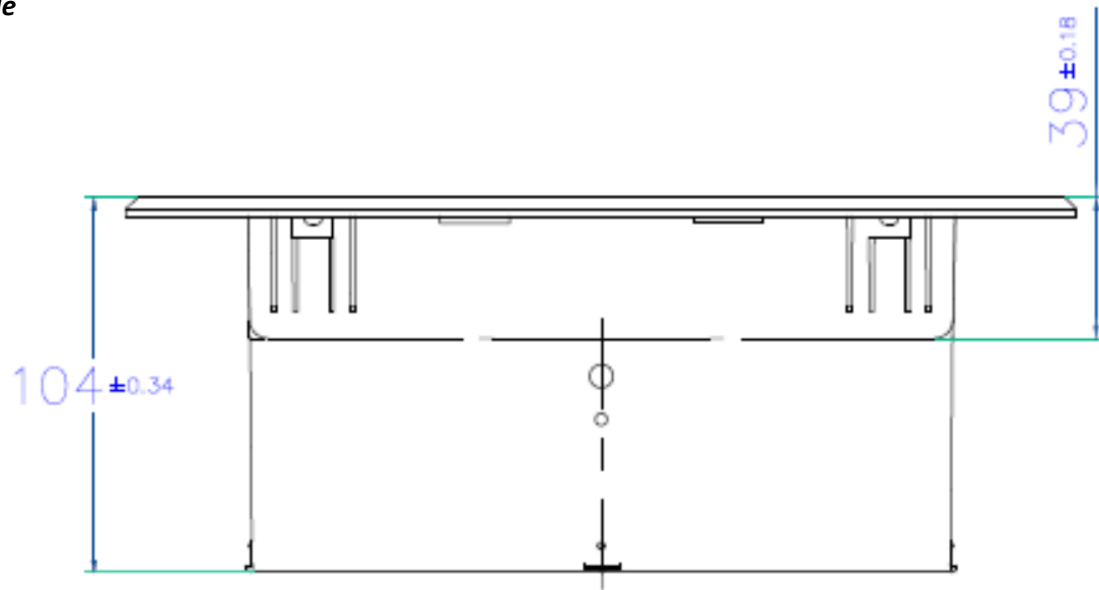
### Face



### Bottom



*Side*

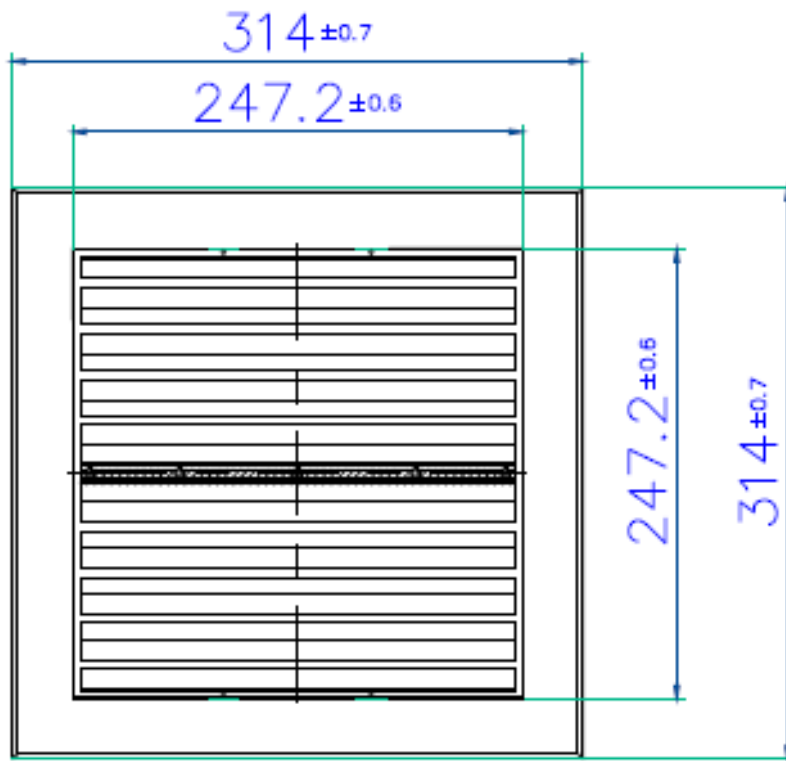


# Snap-In Eave Ducted Vent Technical Data

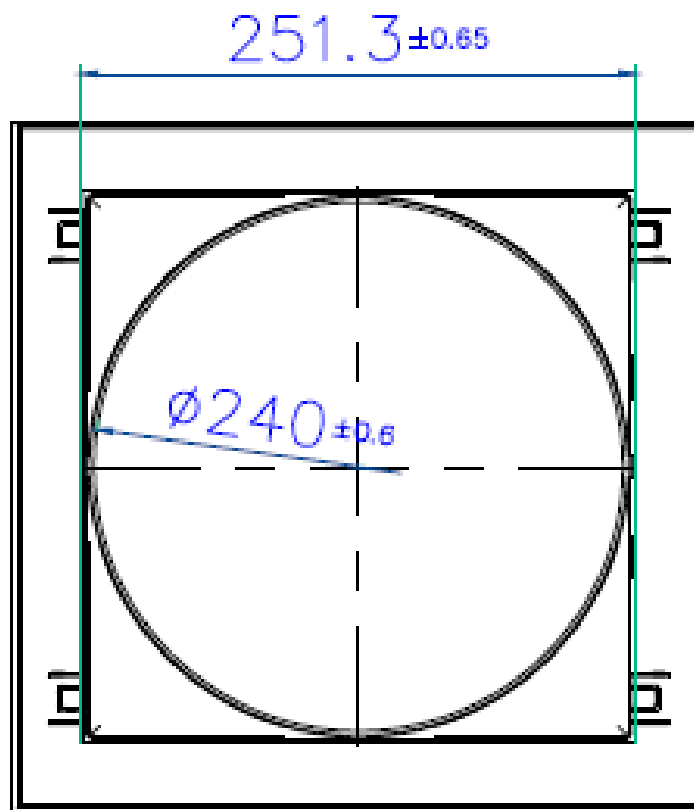


S2503BAL

Face

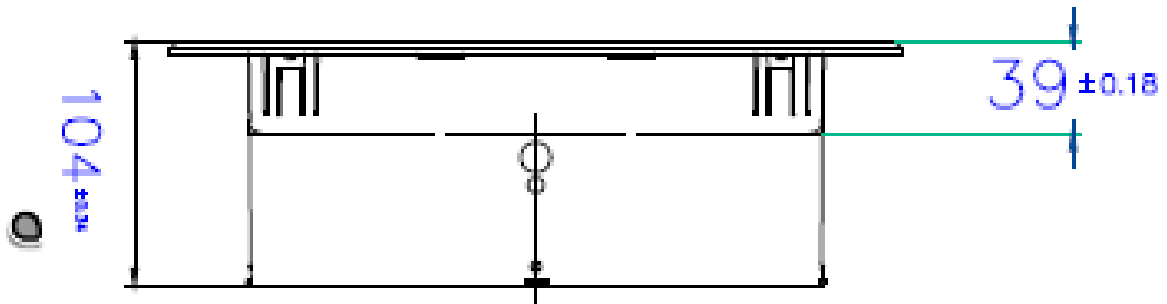


Bottom



5 Amay Crescent, Ferntree Gully Vic 3156  
P | 03 9758 7844 F | 03 9758 7804  
E | enquiries@partnerpacific.com

*Side*



## **Compliance with the National Construction Code**

This snap-in eave vent is designed to assist with condensation management and ventilation under NCC 2022 provisions, Section 10.8.2 (Exhaust Systems) & 10.8.3 (Ventilation of Roof Spaces).

## **Compliance with AS3959**

When installed correctly, this snap-in eave vent is compliant with the fire rating requirements of AS3959-2009 up to BAL-29, due to ember guard/mesh  $\leq 2$  mm made of corrosion-resistant metal.

## **Conditions of Storage, Maintenance and Use**

We recommend using in conjunction with our Flexible nude duct

Keep stored in a dry and cool area

Do not attempt repair or maintenance without contacting Partner Pacific.

## **Limitations of Use**

Do not use for exhausting hazardous or combustible gases.