

Low Profile Roof Vent Range

For tiled or metal roofs



Partner Pacific has developed an innovative, patented range of low profile roof vents to suit both tiled and metal roofs. They have a stylish look, are extremely durable and can be used for multiple purposes. A range of colours – plus a paintable version – ensures that they will blend into the roof. Low profile roof vents are a great alternative to traditional roof cowls which require a steel pipe and roof flashing – as they are effectively 3 products in one. They are also an alternative to rotary vents for ventilation of the roof cavity.

Key Features

- + Easy and fast installation
- + Unique patented design
- + Unobtrusive – can even install under solar panels
- + All metal construction
- + BAL-40 compliant
- + Multiple colours
- + Multi-purpose
- + Ideal for NCC Condensation Management compliance
- + For tiled and metal roofs

Product Details and Specifications

Size Variations:

- 125/150mm version has a 150mm opening, 150mm neck and a 125mm neck adapter
- 150/200mm version has a 200mm opening, 200mm neck and a 150mm neck adapter

Base Construction: 580 x 600mm powder coated alum base (0.6mm thickness)

Dome Construction: Powder coated stainless steel (0.6mm thickness)

Design: Aerodynamic design to resist rain and wind. The curved and overhanging top protects from wind and rain penetration along with internal deflector which protects from water entering the circular opening in the base

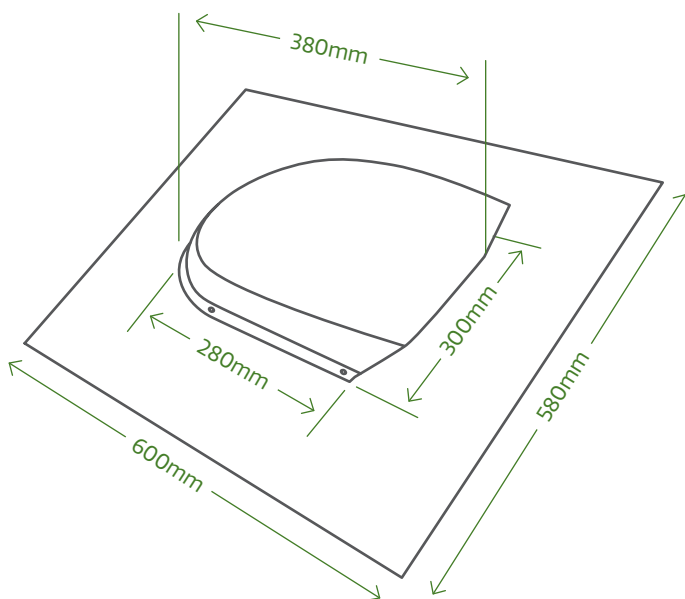
Installation strap: Hidden tile installation strap secures the vent to a roof batten to protect from high winds (use tile installation strap only for tiled roofs)

Duct Adapter: Adapter twist locks into base for easy attachment of ducting (semi rigid or flexible foil)

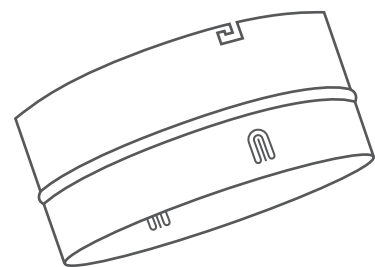
Finish: Coloured finishes are powder coated with UV stabilised materials. Paintable versions are ready for painting

Open Area: 29,040 mm²

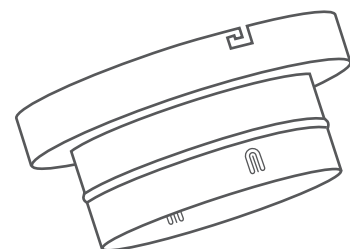
Specifications



Neck



Adapter



Potential Applications

- + The range can be used in conjunction with ducting to vent out exhaust fans and rangehoods or to vent out the roof space
 - + 2022 NCC 10.8.2 applications – with ducting to vent out fans and rangehoods via the roof*
- * Potentially multiple exhaust fans can be vented via a single roof vent using a Y piece adapter to reduce the number of roof penetrations

Features and Benefits

- + **Low profile design** – unobtrusive and can be positioned under a solar panel
- + **Pliable aluminium base** – Installs like a rotary vent. Easier and faster to install than traditional cowl, pipe and flashing
- + **All metal** – stainless steel and aluminium construction for maximum durability and longevity
- + **2mm aperture steel mesh** – compliant with AS3959 for bush fire zones up to BAL-40 – plus keeps pests and rodents out of the building
- + **Versatile base** – compatible with both tiled and metal roofs (min 10 degree pitch)
- + **Unique patented design** – aerodynamic styling resists rain and wind (#2021107277)
- + **Multi-purpose** – can be used with ducting to vents fans and rangehoods or to vent out the roof space
- + **Static** – no moving parts means no noise, damage or maintenance
- + **Colour options** – available in a variety of popular colours or a paintable finish
- + May be used as either an air intake or exhaust vent

Code	Description	Colour	Barcode Number
RV56MM	Alpine Ventilation 125/150mm Low Profile Roof Vent	Monument®	9 350571 001588
RV56SG	Alpine Ventilation 125/150mm Low Profile Roof Vent	Shale Grey™	9 350571 001601
RV56SM	Alpine Ventilation 125/150mm Low Profile Roof Vent	Surfmist®	9 350571 001595
RV56P	Alpine Ventilation 125/150 Low Profile Roof Vent	Paintable	9 350571 003346
RV68MM	Alpine Ventilation 150/200mm Low Profile Roof Vent	Monument®	9 350571 001304
RV68SG	Alpine Ventilation 150/200mm Low Profile Roof Vent	Shale Grey™	9 350571 001328
RV68SM	Alpine Ventilation 150/200mm Low Profile Roof Vent	Surfmist®	9 350571 001311
RV68P	Alpine Ventilation 150/200mm Low Profile Roof Vent	Paintable	9 350571 003353

Monument® and Surfmist® are registered trademarks of Bluescope Steel Limited. Shale Grey™ is a trademark of Bluescope Steel Limited.

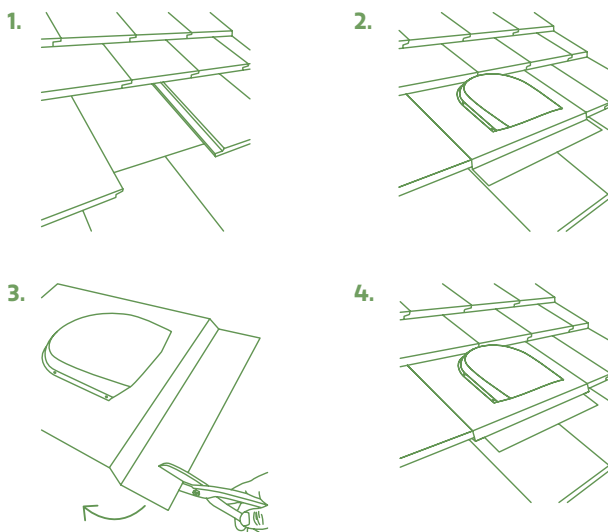
Installation Instructions

Tile Roof

1. Select the desired position along the ridge capping for the vent.
2. Remove a tile from the third row down from the ridge capping (or lower). * Ensure that the proposed position is between roof rafters. (fig 1)
3. Cut any insulation/sarking in a cross and fold back to create a 160mm opening size.
4. Remove the components from the carton.
5. Push the base under the tiles above the opening created in the roof. Centre the hole in the vent base over the opening. Bend the top end of the base up to meet the underside of the tiles above. Dress the base into the shape of the tiles. Bend the bottom edge of the flashing down to seal against lower tiles. (fig 2)
6. (Optional but recommended.) Make 2 vertical cuts in the vent base approx. 50mm in from the bottom left and bottom right corners, forming 2 strips. Bend the 2 strips down each side under the tiles to assist in securing the vent. Silicone may be used under the sides and front of the base. (fig 3 & 4)
7. From inside the roof, attach the tile installation strap to a timber tile batten or rafter on the lower side of the hole, using a nail or screw (not included).
8. Push in and twist either neck or adapter into the opening of the vent to clip into place.
9. Attach duct to the neck or adapter with a worm drive clamp or duct tape.

* The removal of a tile higher than this may damage the integrity of the ridge tiles and is not recommended.

These items may be required: Knife (to cut sarking/insulation) + Tin snips (for cutting base) + Silicone sealant (for base) + Nail and hammer OR screw and screwdriver (to attach tile installation strap) + Duct tape or worm drive clamp (to attach ducting).



Metal Roof

1. Select the desired position along ridge capping for the vent.
2. Remove the components from the carton.
3. Remove the tile installation strap with tin snips prior to installation. (Strap is not required for metal roofs.)
4. Place the vent in position with top edge of the base slid under the ridge capping. Ensure that the vent base covers the corrugations or ribs equally and the desired roof penetration position is between the roof rafters. (fig. 1)
5. Mark a circle of 160mm diameter using the neck as a template. (fig. 2)
6. Cut hole (penetration) and trim away any insulation/sarking or membrane.
7. Push in and twist either neck or adapter into the opening of the vent to clip into place.
8. Place vent back into position under capping and over hole (with neck or adapter in hole). Foil tape (not supplied) may be used to seal the penetration opening.
9. Using tin snips, cut the bottom edge of the base in the shape of the corrugations and bend down at front. (fig 3.)
10. Bend base down at the sides of the corrugation.
11. Secure the base with self-tapping screws. We recommend 3 screws down each side and one on every second ridge of the corrugation. Approximately 9 are required (not included). (fig 4.)
12. Attach ducting to the neck or adapter with a worm drive clamp and/or duct tape. (Note that 20mm clearance is required between roof covering and duct)

These items may be required: Pen (for marking hole) + Tin snips (for removing tile installation strap and trimming base) + Knife (for cutting insulation/sarking) + Saw (for making roof penetration) + Foil tape (to seal roof penetration) + Self-tapping screws (to secure vent) + Duct tape or worm drive clamp (to attach ducting).

