



Installation and Wiring Instructions

Inline Axial Fan



Models: ACF100, ACF150 and ACF200

**PLEASE READ AND SAVE THESE INSTRUCTIONS
AND WARRANTY INFORMATION**

Thank you for your selecting our Alpine Ventilation axial inline fan. Please read all of this document before commencing installation.

This fan is fitted with a plug. Any interconnecting wiring and switches used or use of another plug must be fitted by a licensed Electrician. The plug supplied must be connected to a safety socket.

ENVIRONMENT

This exhaust fan is designed for indoor use (or covered outdoor use) only. It is suitable for supply or exhaustion of air – both conditioned or un-conditioned airstreams. The temperature range is -10°C to +45°C.

WARNING

1. Use this fan only as described in this manual. Any other use not recommended by the manufacturer may cause fire, electric shock, or injury to persons. If you have any questions, contact the manufacturer or local agent.
2. All wiring must be carried out by a licensed Electrician in accordance with all applicable National / local codes and safety standards including the Building Code of Australia. Also check with the local council regulation regarding installation of this fan.
3. Make sure the power is OFF before installation.
4. When locating into the ceiling or wall, do not damage electrical wiring and other hidden utilities.
5. The fan must be properly earthed.
6. For the purpose of avoiding any dangerous gas leaking into your room, the ventilation duct of the fan must not be connected with any ducting that exhausts smoke or fumes from an appliance that uses gas or any other type of fuel.
7. Make sure that the building has sufficient air intakes to assure adequate air circulation.
8. Fan must always vent air outdoors.
9. The fan must be isolated from the power by means of a plug or all-pole disconnection switch with a contact separation of at least 3mm in each pole.
10. The power cable must withstand a minimum 10A load.
11. The fan is not intended for use by persons (including children) with reduced physical, sensory or mental capabilities, or lack of experience and knowledge, unless they have been given supervision or instruction concerning use of the appliance by a person responsible for their safety.
12. Young children should be supervised by a responsible person to ensure that they do not play with the appliance.
13. Make sure there are no loose elements near the fan, as they could potentially be sucked up by it. If the fan is going to be installed in ducting, check that ducting is clean of any particulate that could be sucked up by the fan.

APPLICATIONS

This axial fan is designed for multiple purposes, including:

- Exhausting air from bathrooms, toilets, laundries
- Air transfer from room to room **and**
- Exhausting air from cavities such as roofs or sub floor

INSTALLATION

The fan is suitable for mounting in any orientation – horizontal or vertical. Before installing, ensure that the impeller turns freely and is free of any obstruction. **DO NOT OPERATE THE FAN IF DAMAGED.** If installing into a socket, ensure that it is located an appropriate distance from the fan. Note the WARNING section on the previous page.

1. Ducting

Put two ends of a 100/150/200 mm diameter ducting (not supplied) onto the neck of this fan using a duct tape and/or steel worm clamps.

2. Locating the unit

Use suitable screws (not supplied) to fasten this unit in the ceiling space or wall. Secure at all 4 points. Ensure that screws are installed away from any wiring or other hazards.

3. Wiring (Ensure the mains power is turned off)

Please comply with the local wiring regulations when wiring. Wire the unit as per the wiring diagram or plug in.

Note: The shortest, smooth surface ventilation duct with the least bends will provide optimum fan performance. Please keep ducting as straight as possible.

USE

Running the fan can exhaust air in a quick and efficient way.

Note: Shut off power urgently if any abnormalities occur in operation. Then call your local licensed electrician for inspection or necessary service work.

It is absolutely prohibited to insert finger or any object into the impeller to avoid injuries or damage the fan.

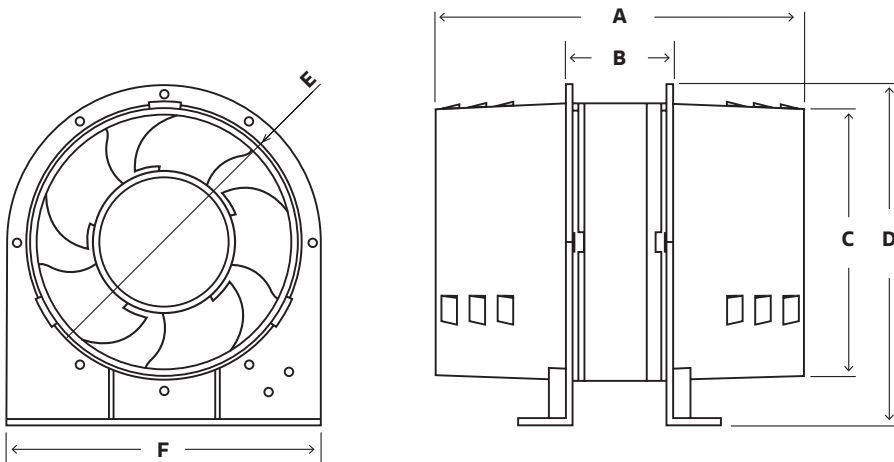
MAINTENANCE

1. We recommend an annual inspection to ensure there is no excessive accumulation of dirt or dust on the impeller.
2. Before cleaning or maintenance, shut off power and disconnect from the mains supply.
3. Prevent the possibility of anyone else connecting the power while maintenance is being undertaken.
4. Clean with a damp (not wet) cloth. Do not use abrasive or detergent cleaning products.
5. All maintenance and repair work must be carried out by a licensed Electrician in accordance with all applicable National / local codes and safety standards.

DIAGRAM AND DIMENSIONS*

Model	A	B	C	D	E	F
ACF100	168.5	38.5	98	137.8	98	119.5
ACF150	201.5	51.5	146	185.5	146	172
ACF200	210	60	197	227	197	207

*Dimensions are in mm.



TECHNICAL SPECIFICATIONS

Model	ACF100	ACF150	ACF200
Input Voltage	240v	240v	240v
Frequency	50Hz	50Hz	50Hz
Wattage	26w	46w	70w
Duct Size	100mm (4")	150mm (6")	200mm (8")
IP Rating	IP22	IP22	IP22
Pressure	58Pa	118Pa	97Pa
Max Air Flow	41 L/S, 149 m ³ /H	92 L/S, 330 m ³ /H	159L/s, 571 m ³ /H
Electrical Classification	Class 1	Class 1	Class 1
Suitability	Indoor or covered outdoor	Indoor or covered outdoor	Indoor or covered outdoor

LIST OF COMPONENTS SUPPLIED

Inline fan	1 piece
Installation instruction	1 piece
Power cable with plug (connected)	1 set

WARRANTY

This fan is warranted against defects in manufacturing and workmanship for a period of 3 years. The warranty does not extend to installation of the unit or any associated wiring or any damage caused by installation or wiring.

The installation must be conducted by a licensed electrician and a suitable certificate of safety is to be issued by the electrician who installed it. Warranty claims will be voided unless a certificate of safety can be produced when required, prior to service or repair.

The warranty does not cover damages or loss caused by

1. Any consequential losses arising from incorrect installation or operation or maintenance of this product.
2. Any consequential losses arising from incorrect wiring of this product
3. Any modifications or changes made to the unit, other than those recommended by the Manufacturer.
4. An accident or damage caused to the fan after purchase

Note that general wear and tear is not covered by the warranty.

Please ensure that your installer also reads this information.

Proof of purchase of the fan is required.

If you consider there are faults relating to the installation, contact your installer to rectify. If you consider there is a manufacturing defect to the fan, contact Partner Pacific on (03) 9758 7844 or email enquiries@partnerpacific.com with the following information.

ACCC STATEMENT

Our goods come with guarantees that cannot be excluded under the Australian Consumer Law. You are entitled to our dealers replacing the product in home with parts and labor for a major failure. You are also entitled to have the goods repaired or replaced if the goods fail to be of acceptable quality and the failure does not amount to a major failure.

IMPORTANT



WARRANTY INFORMATION
ON REVERSE SIDE
DO NOT DISCARD

PURCHASE RECORD FOR YOUR REFERENCE

PLEASE FILL IN THIS CARD PRIOR TO FAN INSTALLATION.
INFORMATION IS MANDATORY IN CASE OF WARRANTY CLAIM.

BRAND:

MODEL NUMBER:.....

SERIAL/BATCH NUMBER:.....

DATE OF PURCHASE:.....

PURCHASED FROM:.....

INSTALLED BY ELECTRICIAN (IF APPLICABLE)

.....

ELECTRICIAN LICENCE NUMBER (IF APPLICABLE)

.....

If you have any queries about the products, please contact us
(03 9758 7844 or enquiries@partnerpacific.com) or your local dealer.

If you have any queries about the products, please contact us
(03 9758 7844 or enquiries@partnerpacific.com) or your local dealer.

