



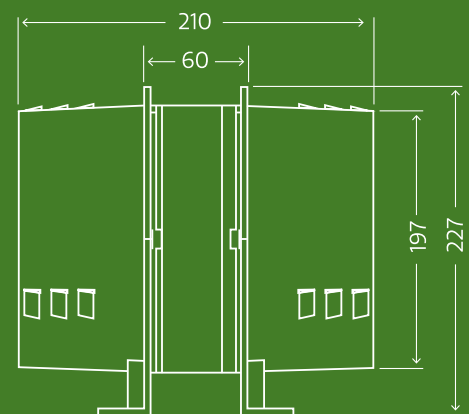
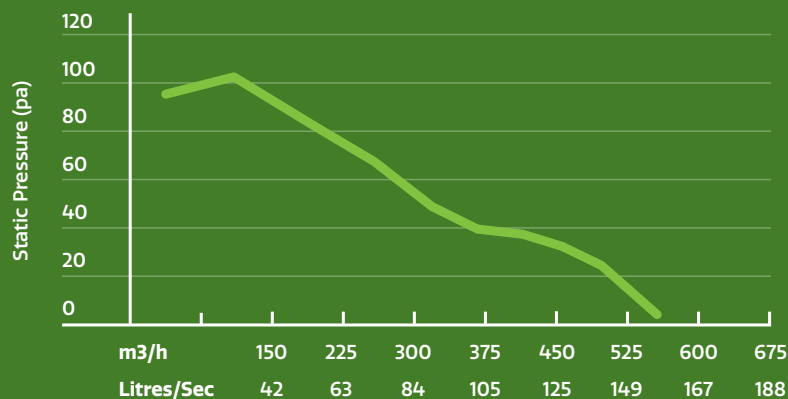
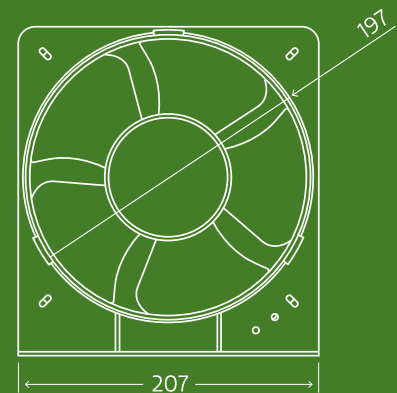
Inline Axial Fan

200mm

100mm and 150mm models also available.

Powerful airflow ideal for exhausting bathrooms, toilets, laundries, room to room air transfer or venting sub floors and roofs.

- + Quiet operation
- + Increases healthy fresh air circulation
- + High performance (571m³/h), energy efficient motor
- + Easy fix mounting and duct tabs to secure duct
- + Rated to 50,000 hours continuous run time
- + Quality fan motor with Japanese bearings and copper wiring
- + Compliant with 2022 NCC 10.8.2 (1) flow rate requirements



Code	Type	Air Flow	Watt	Input	Duct Size
ACF200	AC Fan	159 L/S. 571 m ³ /h	70W	240V-50Hz	200mm